



TAMEO KITS



TMK 413

FERRARI F138

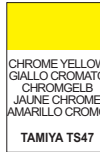
G.P. CINA 2013

F. Alonso - F. Massa

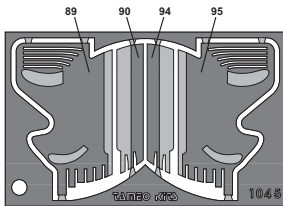
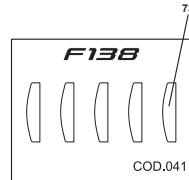
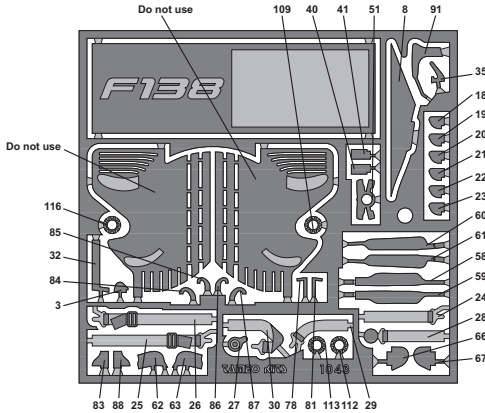
www.tameokits.com



Colour conversion - Conversione colori - Farbenumwandlung Conversion de couleurs - Colores convensionados



Photoetched - Fotoincisioni - Fotogeaztzt Photogravures - Fotograbado



Do not use
Non usare
Nicht benutzen
Ne pas employer
No usar

TAMEO KITS
scale racing car models

TAMEO KITS srl

Via Valle, 111 - P.O. Box 61
17022 BORGIO VEREZZI SV ITALY
Tel. 39 019 - 615.250 Fax. 39 019 - 615.310

website www.tameokits.com
e-mail sales@tameokits.com
e-mail technical@tameokits.com

Ferrari
Official Licensed Product

Produced under license of Ferrari Spa.
FERRARI, the PRANCING HORSE device, all associated logos and distinctive designs are property of Ferrari Spa.
The body designs of the Ferrari cars are protected as Ferrari property under design, trademark and trade dress regulations.

Made in Italy. Modello per collezionisti in scala 1/43. Vietata la vendita ai minori di 14 anni. Nocivo per ingestione. Conservare fuori dalla portata dei bambini. Tameo Kits declina ogni responsabilità per un uso improprio del prodotto.

Made in Italy. Collector 1/43 Scale Models. Not for sale to persons under 14 years of age. Dangerous if swallowed. Keep out of reach of children. Tameo Kits not held responsible for any damage or injury resulting from improper use of the product.

Made in Italy. Modèle pour collectionneurs échelle 1/43. Vente interdite aux enfants de moins de 14 ans. Dangereux si avalé. Conserver hors de la portée des enfants. Tameo Kits décline toute responsabilité dans le cas de dommages dérivants de l'usage non approprié du produit.

Made in Italy. Sammlermodell im Massstab 1/43. Verkauf an Jugendliche unter 14 Jahren verboten. Schädlich bei Verschlucken. Tameo Kits lehnt jede Verantwortung bei unsachgemässer Benutzung des Produktes ab.

Hecho en Italia. Colección de modelos a escala 1/43. Prohibida la venta a menores de 14 años. No comestible. Mantener fuera del alcance e de los niños. Tameo Kits no se hace responsable de los daños causados por el uso incorrecto de este producto.

1 Glue and stick before painting
 Incollare e stuccare prima della verniciatura
 Vor der Lackierung verkleben und verspachteln
 Coller et mastiquer avant de vernir
 Pegar y estucar antes de pintar

2

BRIGHT MICA RED
1
2
3
4 BRIGHT MICA RED
5 BRIGHT MICA RED
6 BRIGHT MICA RED
7 BRIGHT MICA RED
BRIGHT MICA RED
8

SILVER
37
37
39 SILVER
SILVER
42

Bright Mica Red
 Heller perlgrüner Glanz
 Rouge mica rosé
 Rosa vitro mica
TAMIYA TS85



3

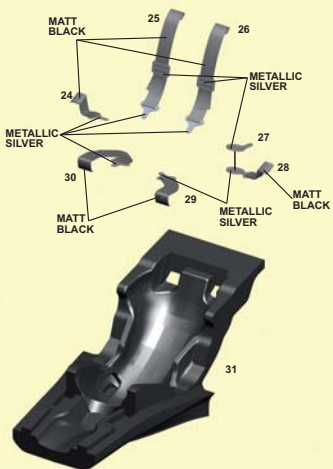
4

12 MATT BLACK
13 MATT BLACK
14 BUFF
15 MATT BLACK
16 MATT BLACK
11 MATT BLACK
MATT BLACK
9
10
MATT BLACK
8
65

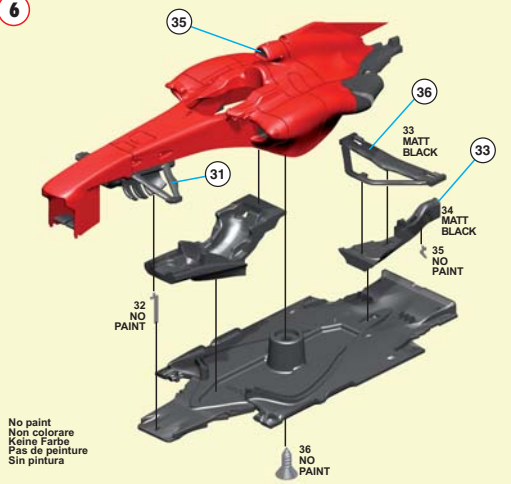
MATT BLACK
13
17 MATT BLACK
MATT BLACK
18
19
20
MATT BLACK
21
22
23

BUFF
 CAMBUCIO
 SAMSCHELEBER
 CHAMOIS
 ANTE
TAMIYA XF57

5



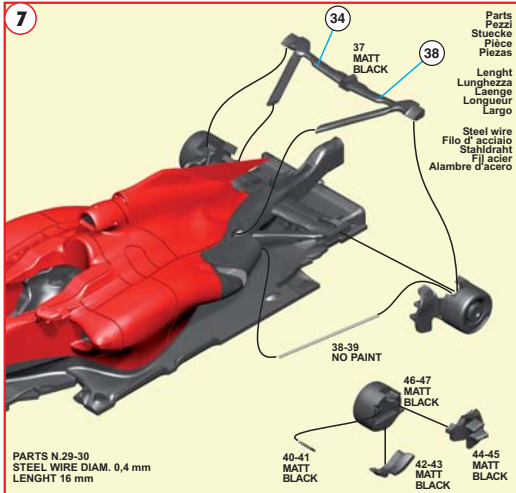
6



No paint
 Non colorare
 Keine Farbe
 Pas de peinture
 Sin pintura



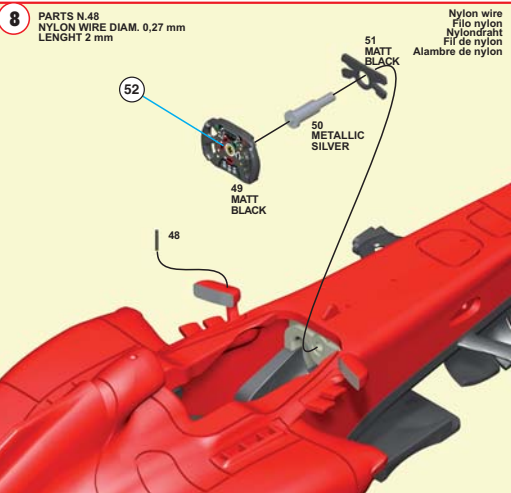
7



PARTS N.29-30
 STEEL WIRE DIAM. 0,4 mm
 LENGHT 16 mm

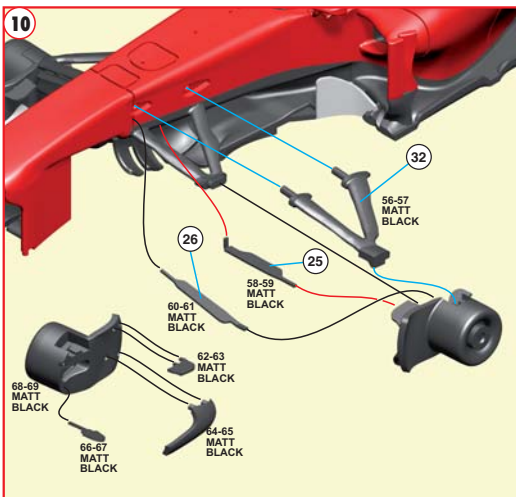
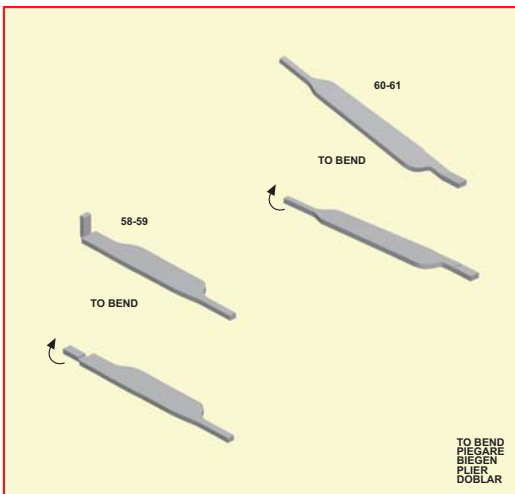
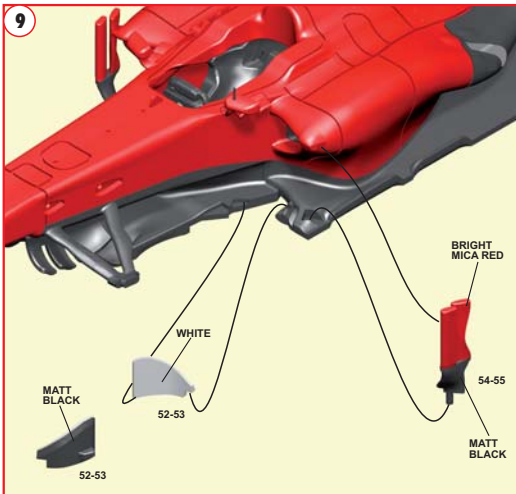
Parts
 Pozzi
 Stuecke
 Pièce
 Piezas
 Lunghezza
 Laenge
 Longueur
 Largo
 Steel wire
 Filo d'acciaio
 Stahldraht
 Fil acier
 Alambre d'acero

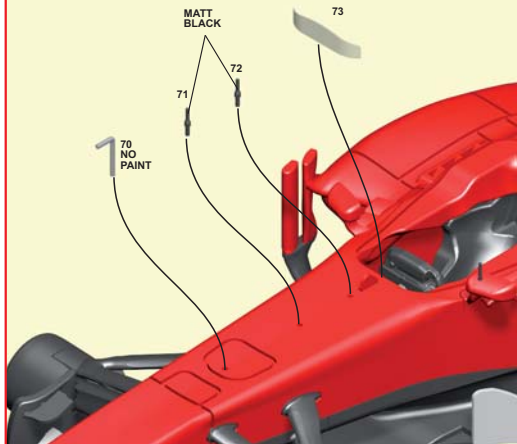
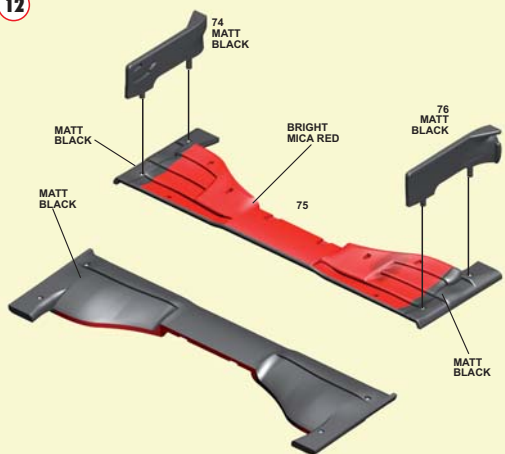
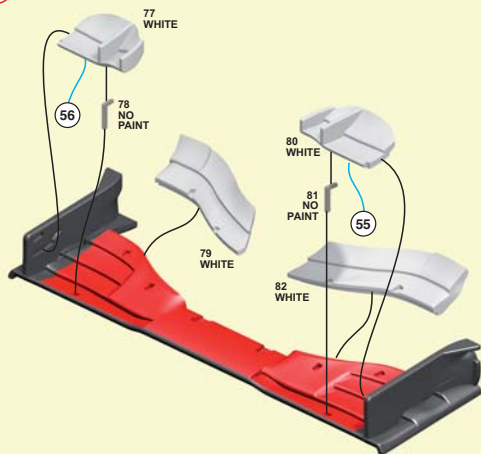
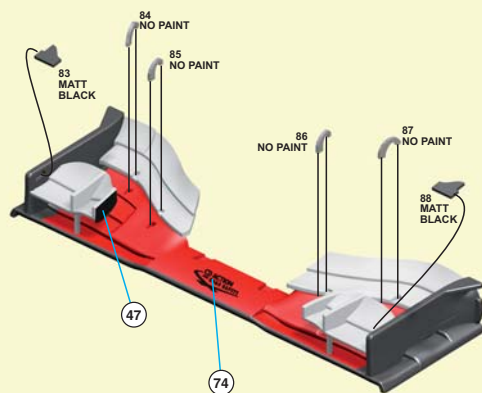
8

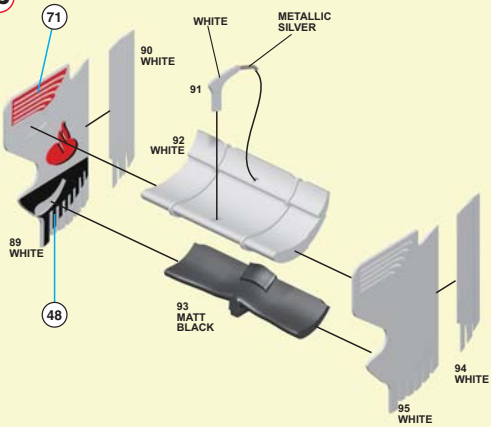
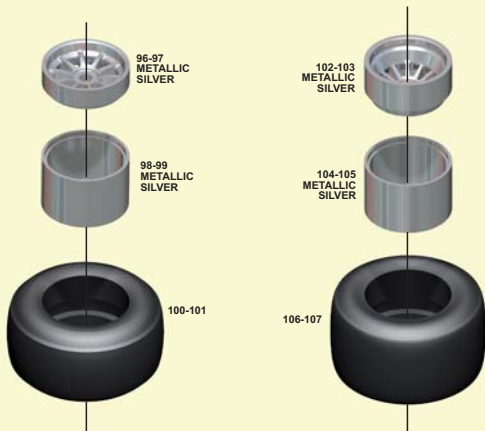
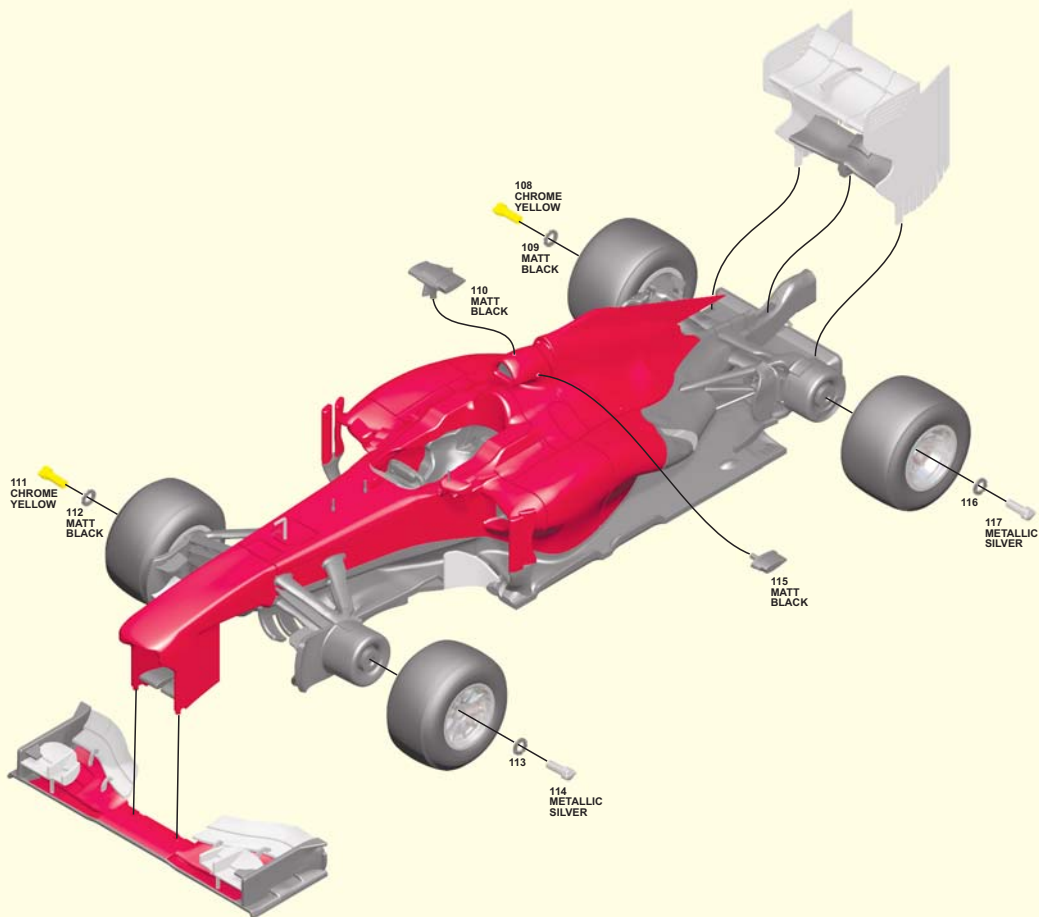


PARTS N.48
 NYLON WIRE DIAM. 0,27 mm
 LENGHT 2 mm

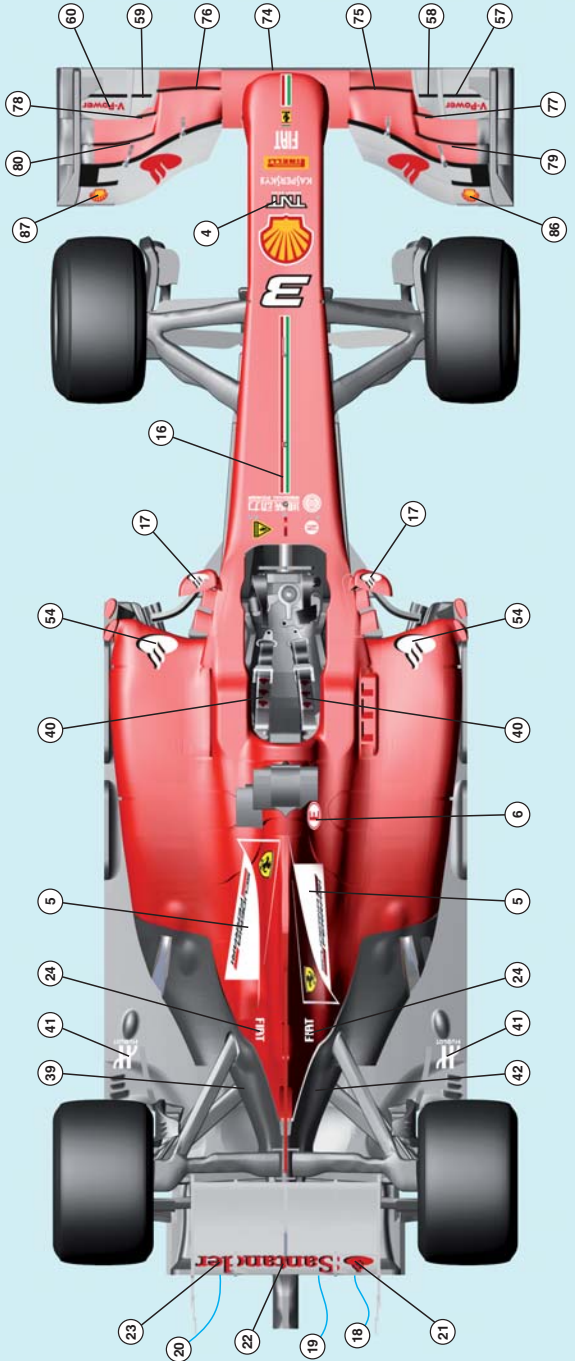
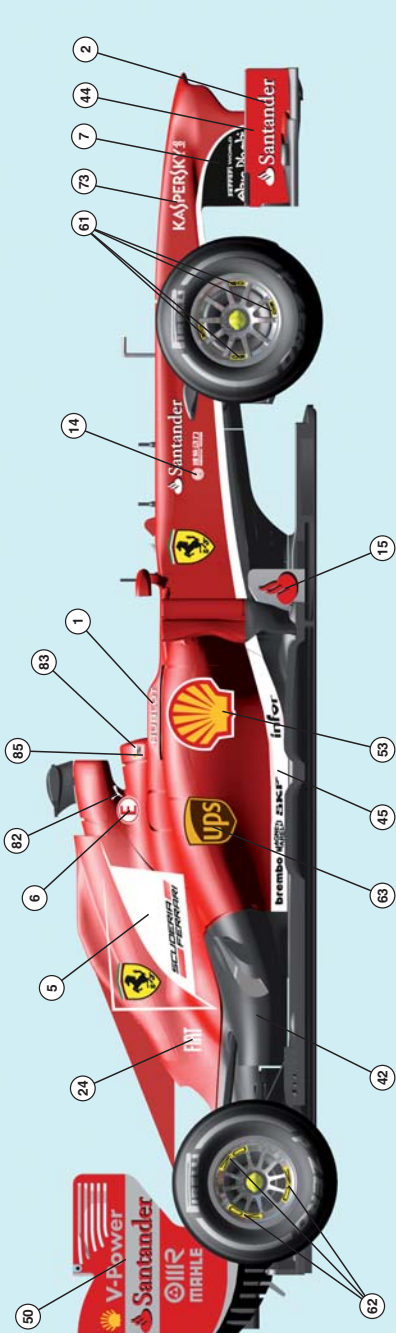
Nylon wire
 Filo nylon
 Nylondraht
 Fil de nylon
 Alambre de nylon



11**12****13****14**

15**16****17**

TMK 413 FERRARI F138 G.P. CINA 2013



3 - F. Alonso 1st



4 - F. Massa 6th